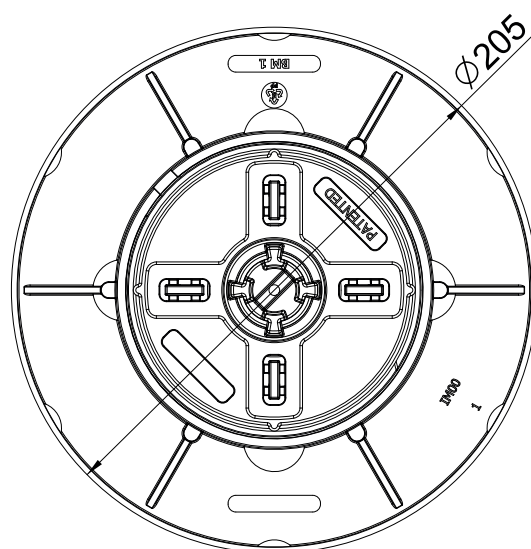
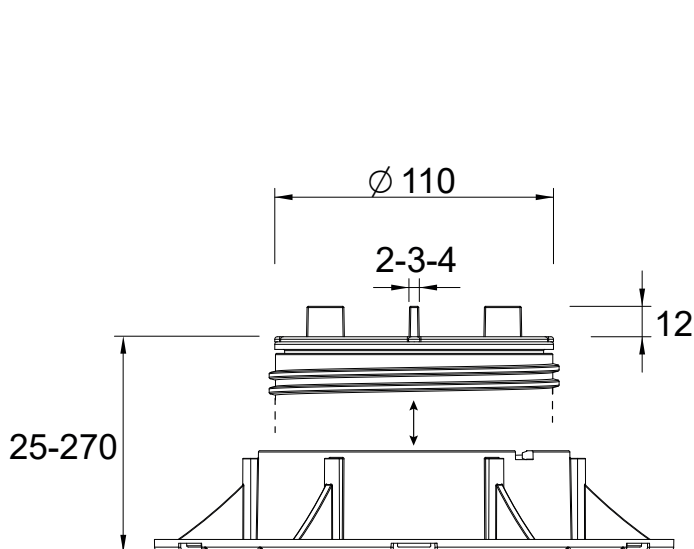


TECHNICAL DATA SHEET

- NM FAMILY -

ITEM SPECIFICATION:

NM pedestal are composed of 3 elements:

A cylindrical base element of 205mm diameter with holes for water drainage and n. 4 "guide" lines to facilitate the cutting in case of need.

A screw with variable height from 25mm to 270mm, is equipped with an unscrewing safety lock.

A head with n. 4 spacing tabs of 12mm height and 2-3-4mm thickness, easily removable in case of need and a anti slip ribber on the top.

The height adjustment is carried out by our special adjustment key, which acts on the screw independently from both the head and the base.

PRODUCT RANGE:

CHARACTERISTICS:

Adjustable in hightness
Bi-component material (PP and rubber)
Regulation key for highness adjustment
Easy removable tabs

RAW MATERIAL:

Polypropylene and rubber (head top finishing)

ENVIRONMENTAL IMPACT:

recyclable material - not dangerous

APPLICATIONS SURFACES:

On any waterproofing membrane
On any insulating hard panel
On any compact and solid surface

APPLICATIONS AREA:

Usable with any prefabricated self sustaining element for outdoor flooring, with minimum thickness of 15mm

GENERAL CHARACTERISTICS & PROPERTIES

	UNIT	VALUE	+/- N°
BASE DIAMETER	mm	205	+/- 1.0
BASE THICKNESS	mm	2	+/- 0.2
HEAD DIAMETER	mm	110	+/- 0.8
SURFACE OF THE BASE	cmq	330	+/- 5
TABS THICKNESS	mm	2-3-4	+/- 0.2
TABS HIGHNESS	mm	12	+/- 0.2
SHORE	Shore d	70	+/- 3
SLOPE CORRECTION		%	0-5
FIRE REACTION*	class	UNI EN**	E
LOW T(°C) REACTION	°C		-40

*Tests made by Giordano S.p.A. Institute of Bellaria-Igea Marina (RN)-Italy
**UNI-EN 13501-1:2009

TECHNICAL DATA SHEET

- NM FAMILY -



PARTICULAR CHARACTERISTICS & PROPERTIES

NM1_E014025047	UNIT	VALUE	+/- N°
min HEIGHNESS	mm	25	+/- 1,0
MAX HEIGHNESS	mm	40	+/- 1,5
WEIGHT	kg	0.212	+/- 5 %
MAX CENTRAL COMPRESSION LOADING RESISTANCE*	kN	31.18	/
MAX ECCENTRIC COMPRESSION LOADING RESISTANCE*	kN	15.19	/

PACK/STORAGE	
PIECES PER BOX	20
BOXES PER PALLET	66
BOX DIMENSION	39.5x39.5x20cm
BOX WEIGHT	4.5kg
PALLET	80x120cm

NM2_E014040077	UNIT	VALUE	+/- N°
min HEIGHNESS	mm	40	+/- 1,0
MAX HEIGHNESS	mm	70	+/- 1,5
WEIGHT	kg	0.276	+/- 5 %
MAX CENTRAL COMPRESSION LOADING RESISTANCE*	kN	38.67	/
MAX ECCENTRIC COMPRESSION LOADING RESISTANCE*	kN	21.48	/

PACK/STORAGE	
PIECES PER BOX	20
BOXES PER PALLET	54
BOX DIMENSION	40x40x25cm
BOX WEIGHT	5.8kg
PALLET	80x120cm

NM3_E014060107	UNIT	VALUE	+/- N°
min HEIGHNESS	mm	60	+/- 1,0
MAX HEIGHNESS	mm	100	+/- 1,5
WEIGHT	kg	0.341	+/- 5 %
MAX CENTRAL COMPRESSION LOADING RESISTANCE*	kN	46.53	/
MAX ECCENTRIC COMPRESSION LOADING RESISTANCE*	kN	26.07	/

PACK/STORAGE	
PIECES PER BOX	20
BOXES PER PALLET	42
BOX DIMENSION	40x40x32cm
BOX WEIGHT	7.1kg
PALLET	80x120cm

NM4_E014090167	UNIT	VALUE	+/- N°
min HEIGHNESS	mm	90	+/- 1,0
MAX HEIGHNESS	mm	160	+/- 1,5
WEIGHT	kg	0.43	+/- 5 %
MAX CENTRAL COMPRESSION LOADING RESISTANCE*	kN	29.57	/
MAX ECCENTRIC COMPRESSION LOADING RESISTANCE*	kN	16.75	/

PACK/STORAGE	
PIECES PER BOX	20
BOXES PER PALLET	30
BOX DIMENSION	40x40x42cm
BOX WEIGHT	8.9kg
PALLET	80x120cm

NM5_E014150277	UNIT	VALUE	+/- N°
min HEIGHNESS	mm	150	+/- 1,0
MAX HEIGHNESS	mm	270	+/- 1,5
WEIGHT	kg	0.61	+/- 5 %
MAX CENTRAL COMPRESSION LOADING RESISTANCE*	kN	28.60	/
MAX ECCENTRIC COMPRESSION LOADING RESISTANCE*	kN	18.89	/

PACK/STORAGE	
PIECES PER BOX	20
BOXES PER PALLET	21
BOX DIMENSION	32x80x40cm
BOX WEIGHT	12.5kg
PALLET	80x120cm

*Tests made by Civil and Environmental Department of University of Padova. 1 kN = 98,6 kg

The above data are relevant to current production and may be changed or updated by Eterno Ivica at any time without notice. Given the many possible uses and the possible interference of external elements, we do not assume responsibility for the results. The buyer is required to establish under their own responsibility the suitability of the product for the intended use. This document is property of Eterno Ivica. All rights reserved.

