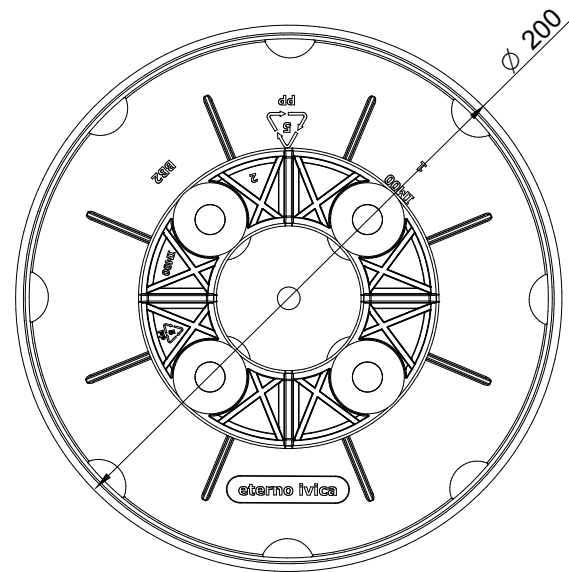
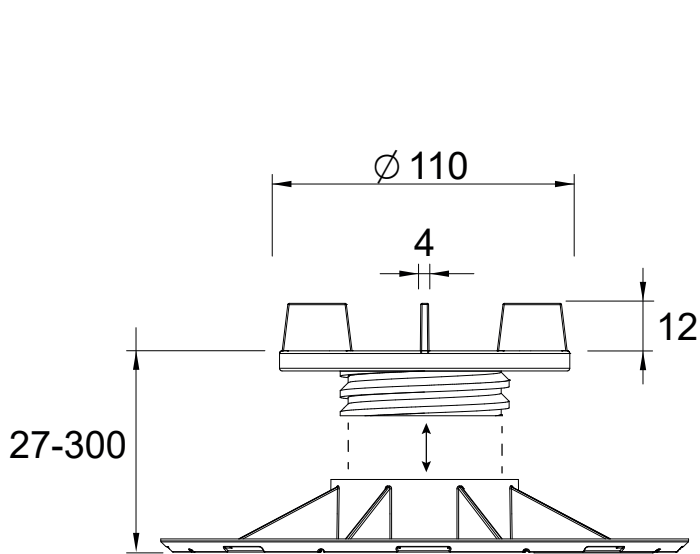


TECHNICAL DATA SHEET

-PEDESTAL SB-



TECHNICAL SPECIFICATION:

Supply and installation of supports for raised floors type "SB", adjustable in height. The supports are made of polypropylene elements composed of a support base with a minimum diameter of 196mm, a screw with a variable height from 27mm to 120mm, with an integrated head equipped with N°4 spacer wings h. 12mm and a thickness of 4mm. In the base there are holes for the outflow of water and N°4 "guidelines" to facilitate cutting in case of need.

It is possible to increase the height of the supports by using the PSB extension, through which the maximum height of 300mm is reached.

Slope compensation is performed by using the TWIST TW compensator.

CHARACTERISTICS:

Adjustable in heightness

RAW MATERIAL:

Polypropylene

ENVIRONMENTAL IMPACT:

recyclable material - not dangerous

APPLICATIONS SURFACES:

On any waterproofing membrane
 On any insulating hard panel
 On any compact and solid surface

APPLICATIONS AREA:

Usable with any prefabricated self sustaining element for outdoor flooring, with minimum thickness of 15mm

GENERAL CHARACTERISTICS & PROPERTIES

	UNIT	VALUE	TOLERANCE +/-
BASE DIAMETER	mm	200	+/- 1.0
BASE THICKNESS	mm	3	+/- 0.2
HEAD DIAMETER	mm	110	+/- 0.8
SURFACE OF THE BASE	cmq	301	+/- 5
TABS THICKNESS	mm	4	+/- 0.2
TABS HIGHNESS	mm	12	+/- 0.2
SHORE	Shore d	70	+/- 3
FIRE REACTION*	UNI-EN 13501-1:2009	CLASSE "E"	
LOW T(°C) REACTION	°C	-40	

*Tests made by Giordano S.p.A. Institute of Bellaria-Igea Marina (RN)-Italy



TECHNICAL DATA SHEET

-PEDESTAL SB-

PARTICULAR CHARACTERISTICS & PROPERTIES

SB1_E015427035	UNIT	VALUE	TOLERANCE
min HEIGHNESS	mm	27	+/- 1,0
MAX HEIGHNESS	mm	35	+/- 1,5
WEIGHT	kg	0.166	+/- 5 %
MAX CENTRAL COMPRESSION LOADING RESISTANCE*	kN	14.55	/
MAX ECCENTRIC COMPRESSION LOADING RESISTANCE*	kN	8.36	/

PACK/STORAGE	
PIECES PER BOX	40
BOXES PER PALLET	42
BOX DIMENSION	40x40x30cm
BOX WEIGHT	7kg
PALLET	80x120cm
PCS PER PALLET	1680

SB2_E015435050	UNIT	VALUE	TOLERANCE
min HEIGHNESS	mm	35	+/- 1,0
MAX HEIGHNESS	mm	50	+/- 1,5
WEIGHT	kg	0.184	+/- 5 %
MAX CENTRAL COMPRESSION LOADING RESISTANCE*	kN	21.15	/
MAX ECCENTRIC COMPRESSION LOADING RESISTANCE*	kN	11.70	/

PACK/STORAGE	
PIECES PER BOX	30
BOXES PER PALLET	42
BOX DIMENSION	40x40x30cm
BOX WEIGHT	6kg
PALLET	80x120cm
PCS PER PALLET	1260

SB3_E015450080	UNIT	VALUE	TOLERANCE
min HEIGHNESS	mm	50	+/- 1,0
MAX HEIGHNESS	mm	80	+/- 1,5
WEIGHT	kg	0.206	+/- 5 %
MAX CENTRAL COMPRESSION LOADING RESISTANCE*	kN	21.31	/
MAX ECCENTRIC COMPRESSION LOADING RESISTANCE*	kN	12.23	/

PACK/STORAGE	
PIECES PER BOX	35
BOXES PER PALLET	30
BOX DIMENSION	40x40x42cm
BOX WEIGHT	7.5kg
PALLET	80x120cm
PCS PER PALLET	1050

SB4_E015470120	UNIT	VALUE	TOLERANCE
min HEIGHNESS	mm	70	+/- 1,0
MAX HEIGHNESS	mm	120	+/- 1,5
WEIGHT	kg	0.250	+/- 5 %
MAX CENTRAL COMPRESSION LOADING RESISTANCE*	kN	19.21	/
MAX ECCENTRIC COMPRESSION LOADING RESISTANCE*	kN	11.38	/

PACK/STORAGE	
PIECES PER BOX	25
BOXES PER PALLET	25
BOX DIMENSION	40x40x42cm
BOX WEIGHT	6.5kg
PALLET	80x120cm
PCS PER PALLET	625

SB5_E015481117	UNIT	VALUE	TOLERANCE
min HEIGHNESS	mm	112	+/- 1,0
MAX HEIGHNESS	mm	168	+/- 1,5
WEIGHT	kg	0.285	+/- 5 %
MAX CENTRAL COMPRESSION LOADING RESISTANCE*	kN	4.69	/
MAX ECCENTRIC COMPRESSION LOADING RESISTANCE*	kN	3.07	/

PACK/STORAGE	
PIECES PER BOX	35 SB3 + 50PSB
BOXES PER PALLET	30 + 21
BOX DIMENSION	40x40x42cm + 40x40x30cm
BOX WEIGHT	7.5kg + 4kg
PALLET	80x120cm
PCS PER PALLET	1050 + 1050

SB6_E015481320	UNIT	VALUE	TOLERANCE
min HEIGHNESS	mm	132	+/- 1,0
MAX HEIGHNESS	mm	210	+/- 1,5
WEIGHT	kg	0.330	+/- 5 %
MAX CENTRAL COMPRESSION LOADING RESISTANCE*	kN	4.66	/
MAX ECCENTRIC COMPRESSION LOADING RESISTANCE*	kN	2.85	/

PACK/STORAGE	
PIECES PER BOX	25 SB4 + 50PSB
BOXES PER PALLET	25 + 13
BOX DIMENSION	40x40x42cm + 40x40x30cm
BOX WEIGHT	6.5kg + 4kg
PALLET	80x120cm
PCS PER PALLET	625 + 625



TECHNICAL DATA SHEET

-PEDESTAL SB-

PARTICULAR CHARACTERISTICS & PROPERTIES

SB7_E015481726	UNIT	VALUE	TOLERANCE
min HEIGHTNESS	mm	175	+/- 1,0
MAX HEIGHTNESS	mm	260	+/- 1,5
WEIGHT	kg	0.370	+/- 5 %
MAX CENTRAL COMPRESSION LOADING RESISTANCE*	kN	4.01	/
MAX ECCENTRIC COMPRESSION LOADING RESISTANCE*	kN	1.67	/

PACK/STORAGE	
PIECES PER BOX	35 SB3 + 50PSB
BOXES PER PALLET	30 + 42
BOX DIMENSION	40x40x42cm + 40x40x30cm
BOX WEIGHT	7.5kg + 4kg
PALLET	80x120cm
PCS PER PALLET	1050 + 2100

SB8_E015481929	UNIT	VALUE	TOLERANCE
min HEIGHTNESS	mm	195	+/- 1,0
MAX HEIGHTNESS	mm	300	+/- 1,5
WEIGHT	kg	0.410	+/- 5 %
MAX CENTRAL COMPRESSION LOADING RESISTANCE*	kN	4.41	/
MAX ECCENTRIC COMPRESSION LOADING RESISTANCE*	kN	3.08	/

PACK/STORAGE	
PIECES PER BOX	25 SB4 + 50PSB
BOXES PER PALLET	25 + 25
BOX DIMENSION	40x40x42cm + 40x40x30cm
BOX WEIGHT	6.5kg + 4kg
PALLET	80x120cm
PCS PER PALLET	625 + 1250

*Tests made by Civil and Environmental Department of University of Padova. 1 kN = 98,6 kg

The packaging of the supports consists of cardboard boxes. The final packaging of the pallets is made with the wrapping of a polyethylene film. Indoor storage, protected from precipitation, is recommended.

INSTALLATION METHOD

The product is laid dry, without the need for adhesives or other types of fixings.

The above data are relevant to current production and may be changed or updated by Eterno Ivica at any time without notice. Given the many possible uses and the possible interference of external elements, we do not assume responsibility for the results. The buyer is required to establish under their own responsibility the suitability of the product for the intended use. This document is property of Eterno Ivica. All rights reserved.