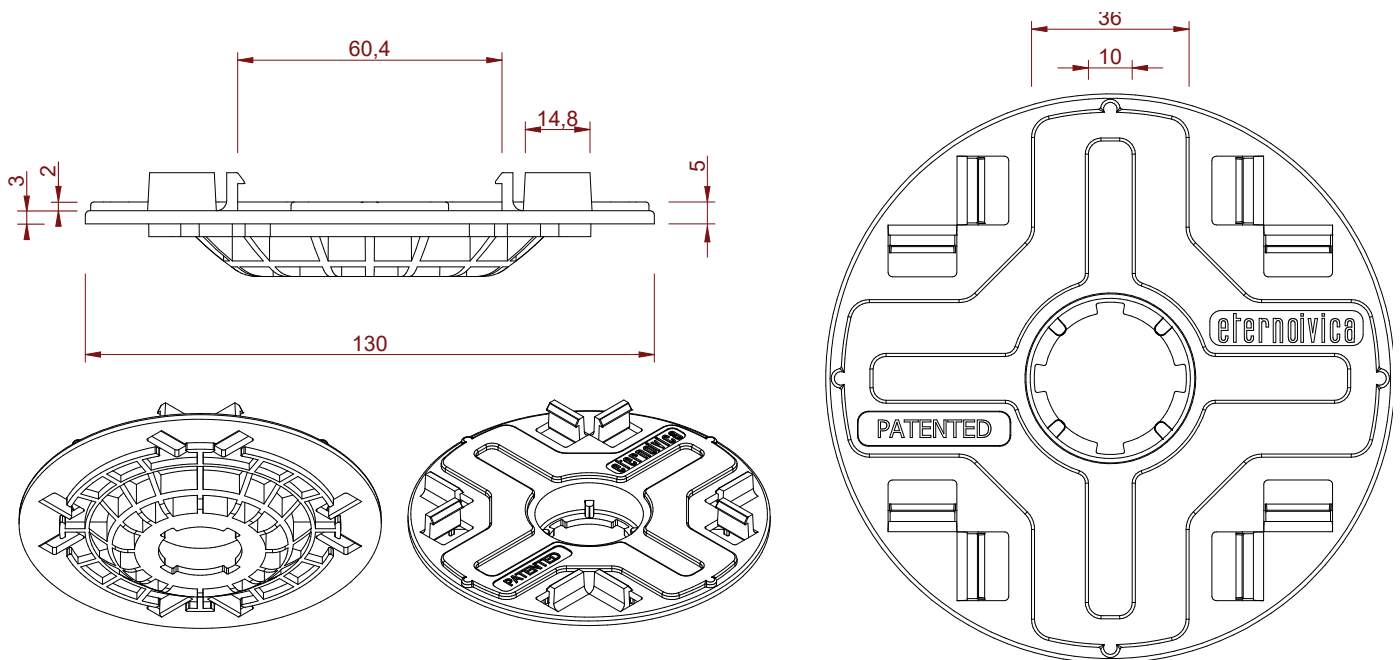


# DATA SHEET

## CRISSCROSS SE HEAD

### DIAMETER 130mm



#### TECHNICAL SPECIFICATION:

Supply and installation of a crisscross head for aluminum joists to be installed on SE type supports. Specifically, the accessory consists of a non-tilting head with a diameter of 130mm having at its top 4 pairs of preformed vertical hooks that allow the locking of the Eternoivica aluminum joists. These hooks allow the simultaneous fixing of one, two, three or four aluminum joists on the head of the support according to the laying needs. Always depending on the laying needs, it can be used to replace the classic head for joists or in combination with them.

#### CHARACTERISTICS:

Bi-material head (PP + Rubber)  
Aluminum joists compatibility  
With anti-rotation locks

#### RAW MATERIAL:

Polypropylene and rubber (head top finishing)

#### ENVIRONMENTAL IMPACT:

recyclable material - not dangerous

#### FIELD OF USE (ASSOCIATED SUPPORT):

Head for SE supports

### GENERAL CHARACTERISTICS & PROPERTIES

COD ART: E035203001	UNIT	VALUE	TOLERANCE +/-
HEAD DIAMETER	mm	130	+/- 1.0
THICKNESS (PP)	mm	3	+/- 0.2
THICKNESS (RUBBER)	mm	2	+/- 0.2
WEIGHT	Kg	0.070	+/- 5 %
SHORE	Shore d	70	+/- 3
FIRE REACTION*	UNI-EN 13501-1:2009	CLASSE "E"	
LOW T(°C) REACTION	°C	-40	

\*Tests made by Giordano S.p.A. Institute of Bellaria-Igea Marina (RN)-Italy

The above data are relevant to current production and may be changed or updated by Eterno Ivica at any time without notice. Given the many possible uses and the possible interference of external elements, we do not assume responsibility for the results. The buyer is required to establish under their own responsibility the suitability of the product for the intended use. This document is property of Eterno Ivica. All rights reserved.